

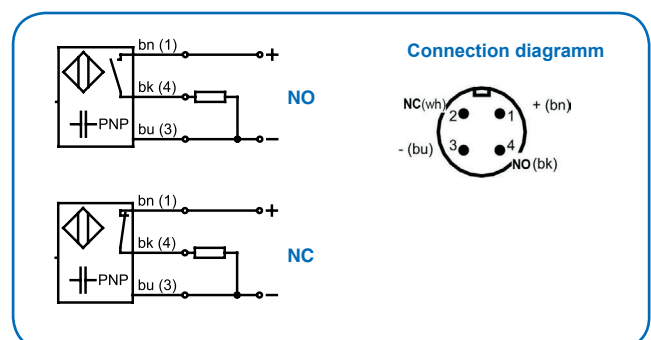
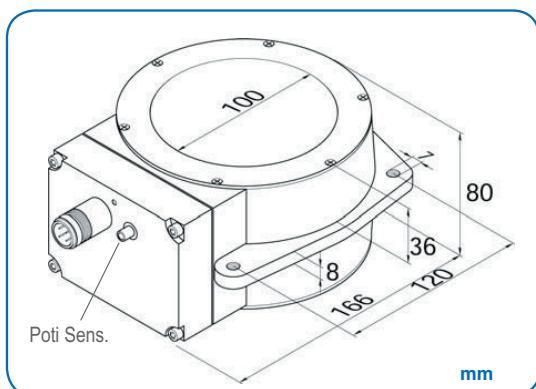
IRDP 100 PUK-ST4

- *Dynamic PNP, antivalent*
- *Very high resolution*



Technical data

Ring diameter	100 mm
Operating voltage	20...30 VDC
Residual ripple	≤ 10 %
Voltage drop	≤ 1,8 V
Max. load current	50 mA
No load current	≤ 25 mA
Residual current	50 µA
Max. switching frequency	100 Hz
Switching characteristic	Dynamic
Operating temperature	-25 °C...+60 °C
Switching status display	LED
Output	PNP, NO/NC antivalent
Real sensitivity	Steel ball 1,3 mm adjustable
Short circuit proof	yes
Overload protection	yes
Reverse polarity	yes
Protection class	IP54
EMC durability	DIN EN 60947-5-2:2008
Housing material	Aluminium
Connection	Male connector M12, 4-pins



The informations are provided to best of our knowledge. Subject to change. These products must not applied when the safety of persons rely on their faultless function. Dietz Sensortechnik refuses the liability for consequential loss resulting from the application of sensors from Dietz.